



Quick Installation Guide

Outdoor Waterproof IP Camera



Model: SAB IP1700 Camera

V1.0

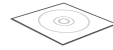
Package Contents



IP Camera



Power Adapter



Resource CD



Expansion Screws



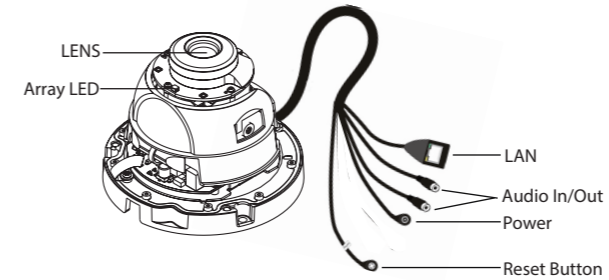
Hexagon Screwdriver



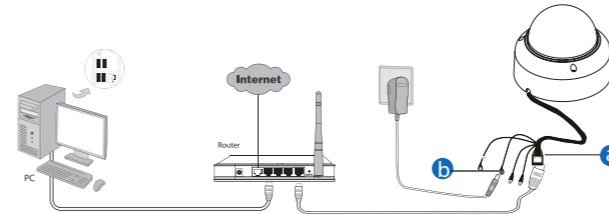
Quick Installation Guide

1 Hardware Introduction

Physical Description



Hardware Connection



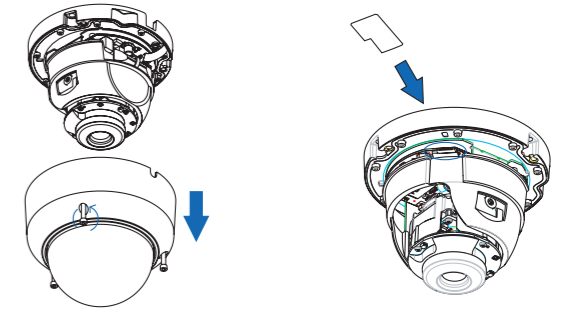
- a. Connect the camera to the LAN network (router or switch) via network cable.
- b. If the router or switch supports PoE function, power adapter is unnecessary. If not, please connect the power adapter to the camera.

Before you continue, please note:

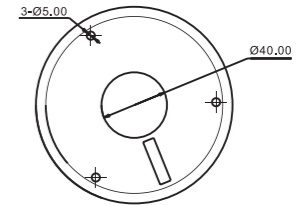
Make sure your computer and IP camera are connected to the same network segment.

Hardware Installation

- 1. Loosen the three screws on the cover of the device, and remove the cover.
- 2. Insert the micro SD into the slot.



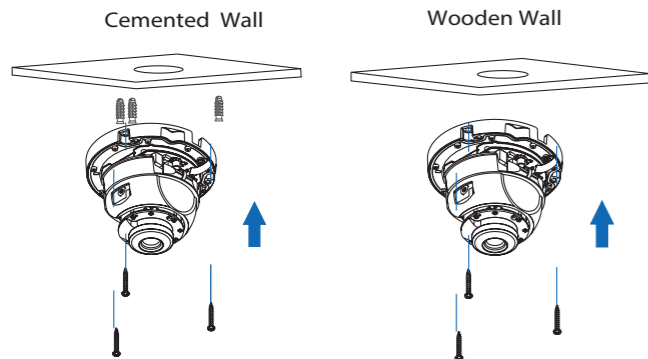
- 3. Install the mounting paper according to the monitored area.



Note:

Please drill the middle hole of the mounting paper if you want to wire through the top.

4. Install the base of the device on the cemented wall or Wooden wall with expansion screws.

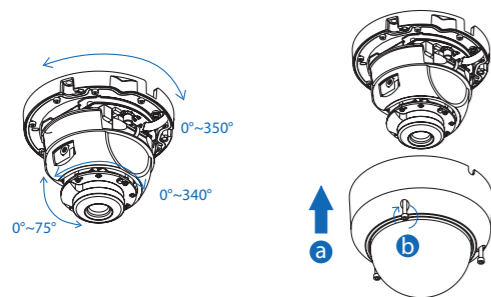


5. Wiring

- Wire out from the gap of the base, or wire through the drilled hole.
- Connect the camera to the LAN network via network cable.
- Power on the device.

6. Turn the angle of the LENS.

7. Finally, fix the cover and the base with screws.



Note:

Do not block the Array LED when rotating, so as not to affect the night vision.

2 Add the IP Camera

You can add the IP Camera by Smart Phone.

1. Download the App

You can go to the App Store or Google Play store and search for "SAB Cloud IPC". please download and install it.

The App icon will be displayed after successful installation:



SAB Cloud IPC

2. Add the IP Camera

Run the APP, then you can tap the "+" button on the App and follow the wizard to add your camera.

3 Access the IP Camera

After your camera has been successfully added, you can access the IP Camera via the app or browser.

If you want to use your camera via the browser, you can search and access its local website in LAN.

- Please copy the "Equipment Search Tool" file from the CD to your computer.



Please Note:

Make sure the camera and PC are both in the same Local Area Network (LAN).

- Open "Equipment Search Tool".

Camera Name	IP Address	Device ID	Type
Anonymous	Http://192.168.1.105:88	00626E55A81E	IPC

- Double click the camera list here, and your default browser will open up to the login page.
- When logging in for the first time, you will need to download and install the add-on.
- After logging in, you can manage camera through the browser.

4 FAQ

Forget Username / Password

Restore camera back to factory settings:

- Press "Reset" button for about 10 seconds with camera powered on.
- Release the button and wait about 30 seconds, the camera will automatically restart, and restore factory settings with its username / password recovery to admin / (blank) .

Please Note:

- After restore to factory default settings, you need to config the Wi-Fi connection again, you can follow the Setup Wizard of the App to add again.
- In case your device failed to add by Wi-Fi, you can use WPS or wired connection. Please refer to the User Manual on the CD.

